

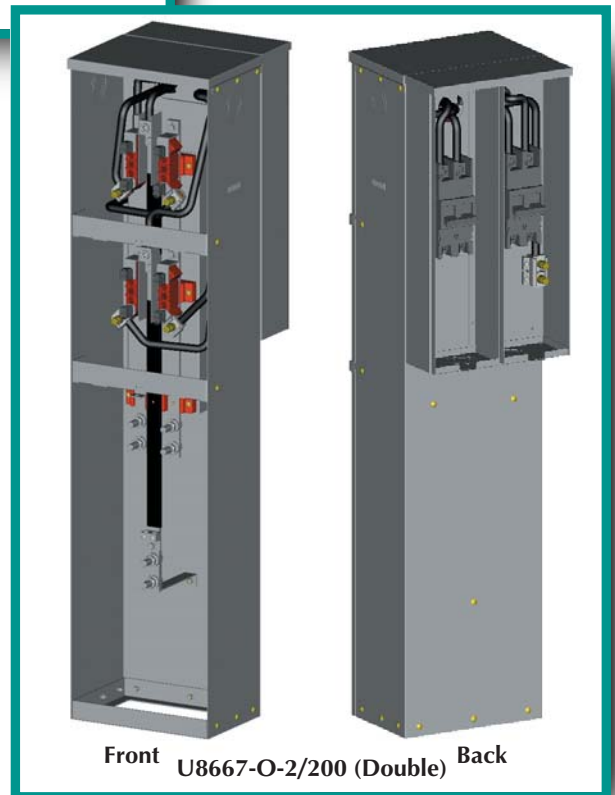
Texas Mobile Home Pedestal

For TXU Area

TXU Area Pad Mount Mobile Home Pedestals -Single & Double



- *Single and Double*
- *200 Amp*
- *4 Terminal*
- *Includes Factory Installed Breaker(s)*



816.483.5314 phone

816.483.6357 fax

www.milbankmfg.com

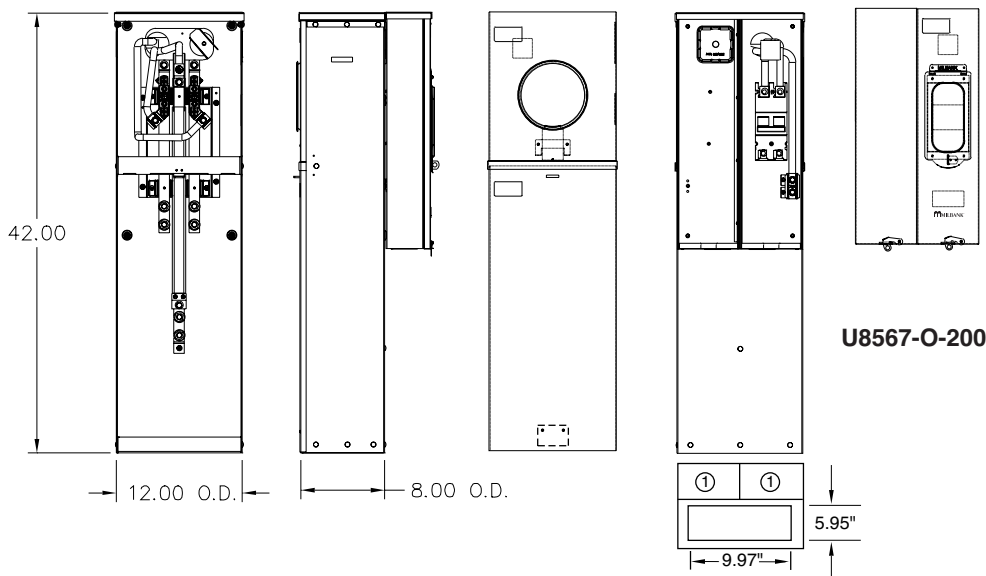
TXMHP 10/06

MILBANK[®]

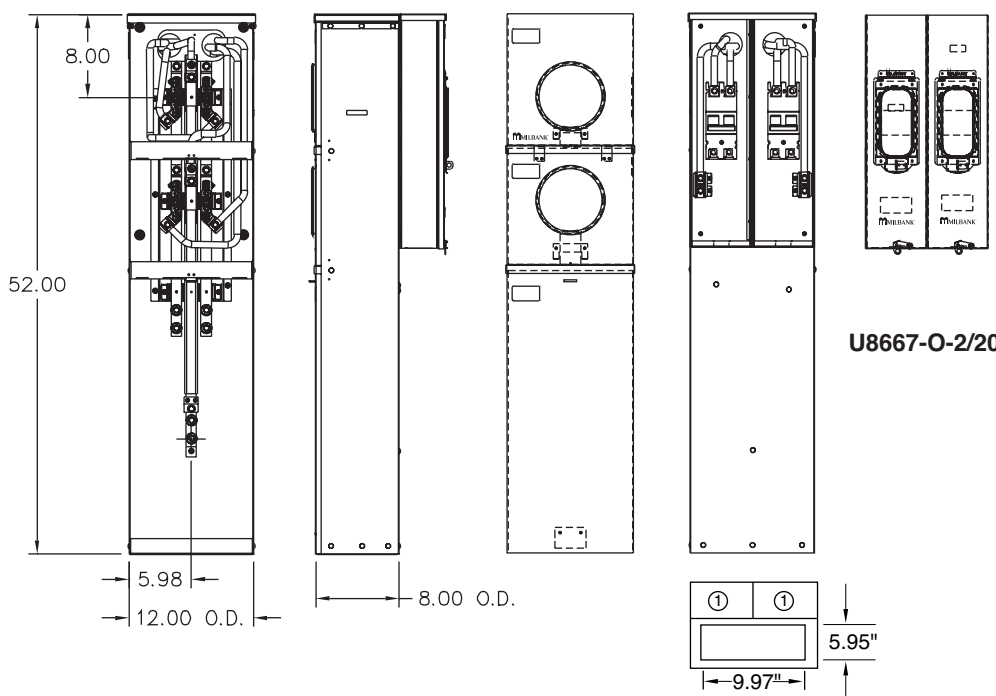




U8567-O-200



U8567-O-200



U8667-O-2/200



**200 AMP-4 TERMINAL-METERED
MOBILE HOME PEDESTALS-PAD MOUNT-RING TYPE-120/240 VAC**

AMPS	NO. OF POS.	CATALOG NUMBER	HUB	CONNECTORS	BY-PASS	DIMENSIONS			CONDUIT SIZE- K.O.'S ①
				CU/AL LOAD		D"	W"	H"	
200	1	U8567-O-200	BLANK	#6 - 350 kcmil	NO	8	12	42	2 ea (1, 1 1/4, 1 1/2, 2)
200	2	U8667-O-2/200	BLANK	#6 - 350 kcmil	NO	8	12	52	2 ea (1, 1 1/4, 1 1/2, 2)

FIFTH TERMINAL: For factory installed fifth terminal in the 9 o'clock position, add the suffix "-5T". For field mounted fifth terminal, order catalog number **K5T**.

CONNECTORS: Extruded aluminum connectors are tin plated.

BUSSING: Bussing is 5/16" x 1" aluminum.

UL LISTING: UL Listed.

MOUNTING CLAMPS: Mounting clamps and bolts for pad mounting are included.

BREAKER: U8567-O-200 is supplied with one **UQFB-200 (2P-200 AMP)** breaker. U8667-O-2/200 is supplied with two **UQFB-200 (2P-200 AMP)** breakers.

METER SEALING RING is NOT included with socket.