

Millennium Series Accessories

Lighting

INTERNAL



K5411 Unmetered
K5412 Metered

Retro-fit to all Millennium Series units. Pre-punched knock-outs for easy installation. Includes 5 watt fluorescent lamp, ballast and mounting hardware

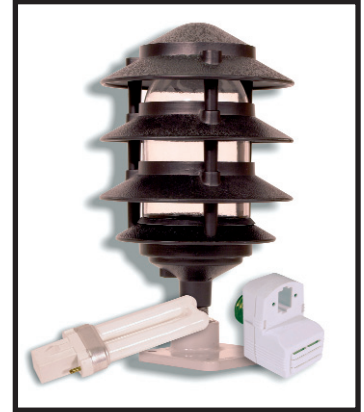
TOP MOUNT



K4850-02

Unique 8" wide design to match existing equipment. Rotatable to street. Includes 5 watt fluorescent lamp, ballast and mounting hardware. Available with or without PE control.

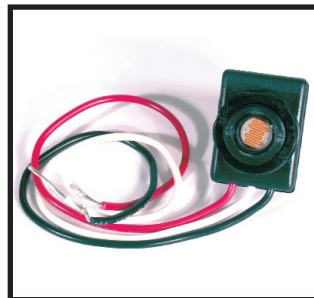
TOP MOUNT



K4850-01

Traditional pagoda-type light. Includes fixture, 5 watt fluorescent lamp, ballast, connector and mounting hardware.

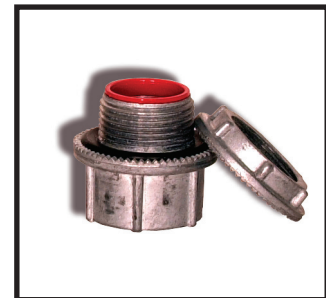
PHOTO CONTROL



K5413

2.5 amp 120 volt photo-electric control. Can be wired into all light kits for dusk-to-dawn light operation.

LIQUID-TIGHT HUBS



K5418 1/2"
K5419 1"

Use on existing equipment without extruded hub opening.

816.483.5314 phone

816.483.6357 fax

www.milbankmfg.com

MSA 11/04

MILBANK[®]



Millennium Series Accessories

Metering



K4800-01

Traditional cast socket meter kit. Includes 100 amp cast meter socket, E-Z read meter, sealing ring, security seal, 1" Milbank hub, nipple & mounting screws.



K4800-02

UL listed utility-grade meter. Unique 8" wide design to match existing equipment. Includes 100 amp meter socket, E-Z read meter, sealing ring, security seal, 1" Milbank hub, nipple & mounting screws.



CL200

200 amp E-Z read watt-hour meter. Numeric read-out in full kilowatt increments – no "tenths" dial.

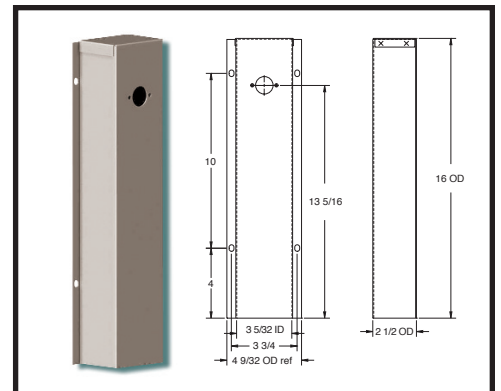
Telecom & Water



- K4709-02** Single line phone & CATV kit
- K4709-03** Dual line phone & CATV kit
- K4709-02-3R** with weatherproof Type 3R "in use" cover

Confirm acceptability with cable TV & telephone provider before ordering or installing these devices.

Millennium series pedestals have pre-punched knock-outs for easy installation of telecom and water accessories.



K4709-WS

Water shroud with hardware. Used to cover pipe and provide means to mount hose bib to rear of pedestal.

816.483.5314 phone

816.483.6357 fax

www.milbankmfg.com



MILBANK[®]

