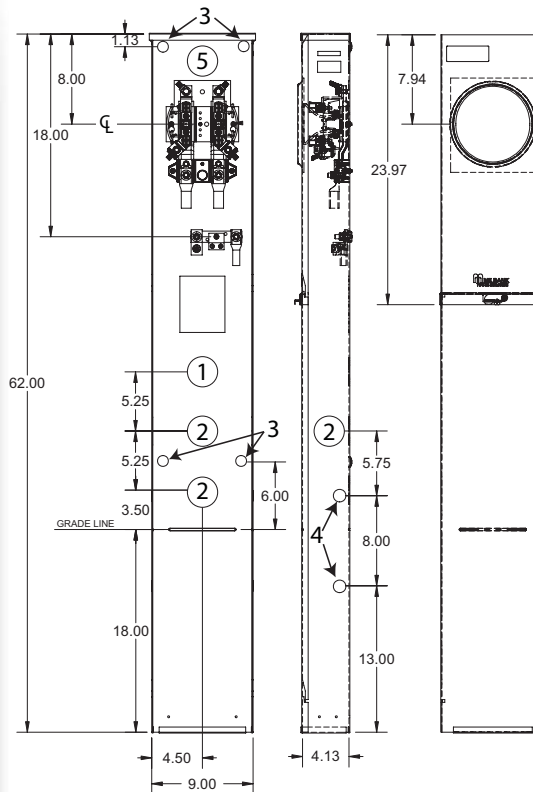


Meter Socket with Wireway

U8436-0



U8436-0

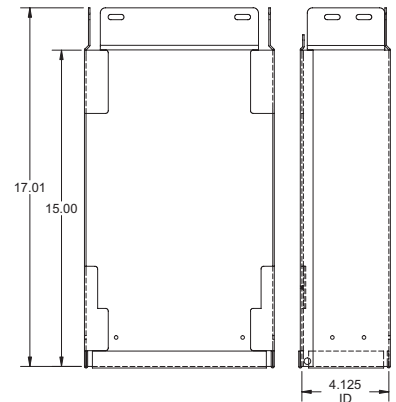


FEATURES & BENEFITS

- Low profile, light weight design
- Easy access to line and load termination lugs
- Convenient knockout sizes and locations
- Stackable extension kits for different grade and elevation requirements
- Competitive pricing
- Local & factory stock (Kokomo, IN)



K5800



100 / 200 AMP—4 TERMINAL—RINGLESS—1Ø3W—600 VAC

AMP	SVC	CATALOG NUMBER	HUB	CONNECTORS CU/AL		BY-PASS	DIMENSIONS			CONCENTRIC K.O.'S				
				LINE	LOAD		D"	W"	H"	1	2	3	4	5
200	UG	U8436-0	BLANK	4/0 Crimp-On	#6-350 kcmil	HORN TYPE	4 1/8	9	62	2	2	5/16	1/2	2

EXTENSION UNIT: For 15" burial applications, order extension unit **K5800**. For 30" burial applications, order (2) catalog # **K5800**.

FIFTH TERMINAL: For field installed fifth terminal, order catalog number **K5T** (9 o'clock position).

BYPASS: Horn type bypass standard.

UTILITY APPROVAL: CECHA approved.

816-483-5314 phone

816-483-6357 fax

www.milbankmfg.com

8436 05/06

MILBANK®

