

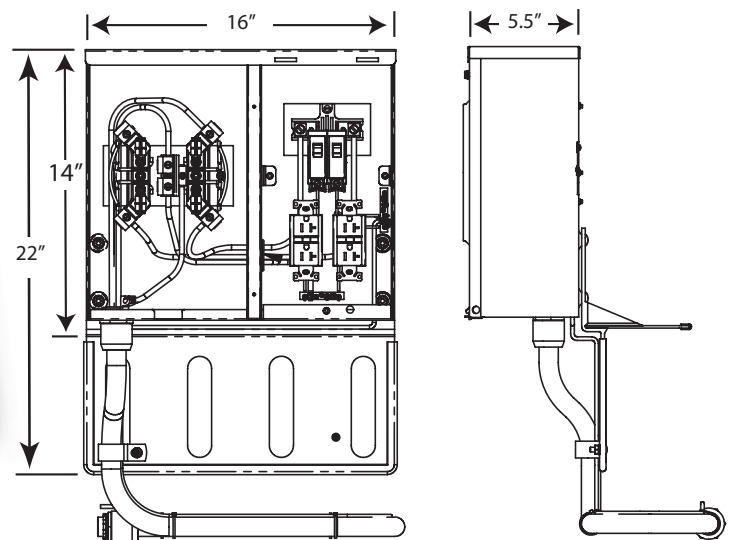
New Product

Temporary Power for Transformer & Pedestal Mounting

SIDE BY SIDE – ALL IN ONE

Cat. No. U5735-O-11GR

- UL listed assembly
- 40 amp 120/240 volt, 1Ø3W, 10 KAIC
- Underground service only
- Ringless meter socket with lockable and sealable stainless steel latch
- Type 3R welded enclosure for durable outdoor use.
- Enclosure constructed with G90 galvanized 16 gauge steel and powder coated grey
- Two 20 amp 120v GFCI duplex receptacles with 20 amp 1 pole circuit breakers
- Universal mounting plate for attachment to utility transformer or pedestal
- 15' harness pre-wired to meter socket has (3) #6 awg stranded copper, (1) #6 solid ground wire and 4' of liquid-tight, flexible PVC conduit with fittings. Harness inductance helps reduce fault current.
- Tamper-resistant lock and seal provision on wiring device section
- No knockouts provided—reduces unauthorized access



816.483.5314 phone

816.483.6357 fax

www.milbankmfg.com



MILBANK®

5735 08-05

Additional Temporary Power Solutions



**U4908 / 09
SERIES**

**Metered
Underground
Service**



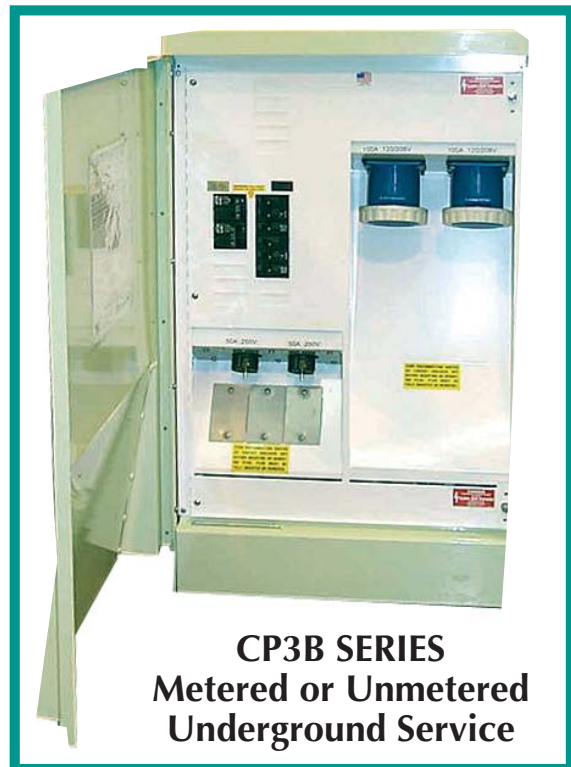
**U5100 / 01
SERIES**

**Metered
Overhead
Service**



**U5000
SERIES**

**Unmetered
OH/UG
Service**



**CP3B SERIES
Metered or Unmetered
Underground Service**

