

# New U1797-O-K3L-K2L-IL Design

KCP&L Approved



## U1797-O-K3L-K2L-IL features:

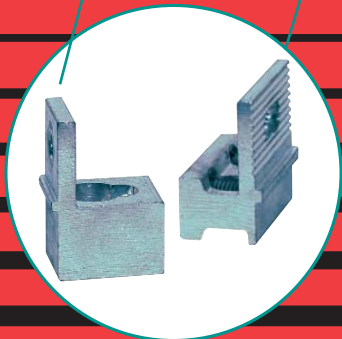
- 320 amp continuous, 400 amp max.
- 4 terminal, 1Ø3W
- Heavy duty lever bypass, jaw clamping
- Underground service
- Milbank reliability

## NEW:

- **ANTI-ROTATION LUGS INCLUDED...** anti rotation bar on the lugs allow the installer to torque down on the conductor without the lug rotating– **EASIER, FASTER, SAFER, MORE RELIABLE INSTALLATION**
- **FACTORY INSTALLED LUGS...**  
Line side – single barrel up to 600 kcmil  
Load side – double barrel up to 350 kcmil  
Installed on the bus with proper torque values by the factory
- **Saves on field installation time with lugs already installed...** no more, **"I FORGOT THE CONNECTORS"** at the jobsite.
- **MORE WIRING ROOM...** easier to wire with different sizes of conductor

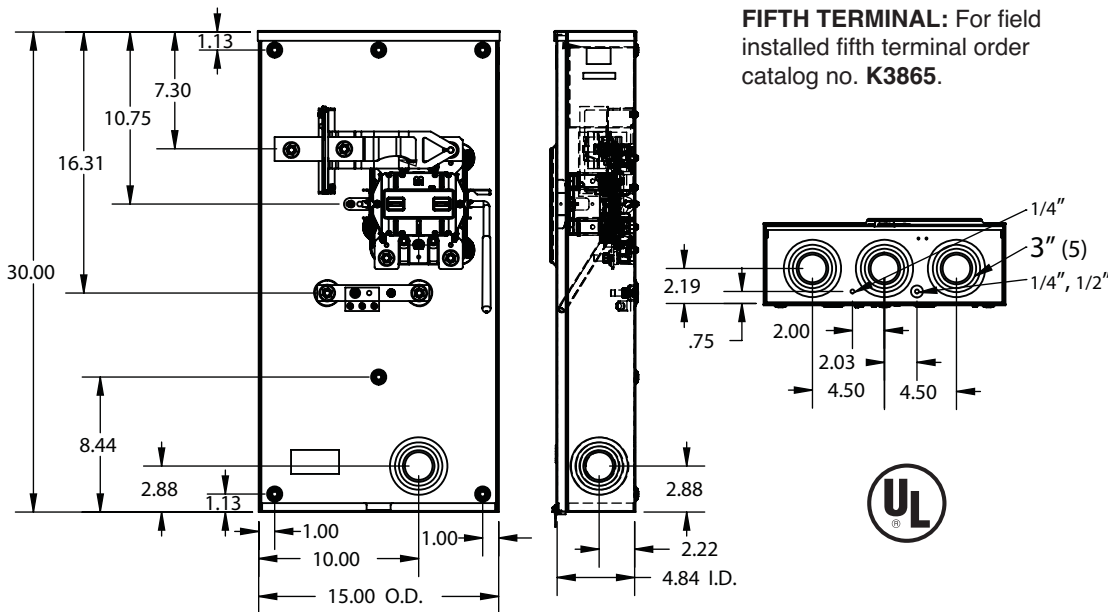
### 320 AMP CONTINUOUS–4 TERMINAL–SIDE WIREWAY–RINGLESS–1Ø3W–600 VAC

| SERVICE | CATALOG NUMBER     | CONNECTORS<br>CU/AL                  |                      | BY-PASS | DIMENSIONS                    |    |    | 5T<br>KIT |
|---------|--------------------|--------------------------------------|----------------------|---------|-------------------------------|----|----|-----------|
|         |                    | LINE                                 | LOAD                 |         | D"                            | W" | H" |           |
| UG      | U1797-O-K3L-K2L-IL | #4-600 kcmil or<br>(2) 1/0-250 kcmil | TWIN<br>#6-350 kcmil | LEVER   | 4 <sup>7</sup> / <sub>8</sub> | 15 | 30 | K3865     |



**BYPASS:** On the U1797 the lever supplies clamping action and also operates bypass device.

**FIFTH TERMINAL:** For field installed fifth terminal order catalog no. **K3865**.



816.483.5314 phone

816.483.6357 fax

www.milbankmfg.com

1797 KCPL 1/07



**MILBANK**