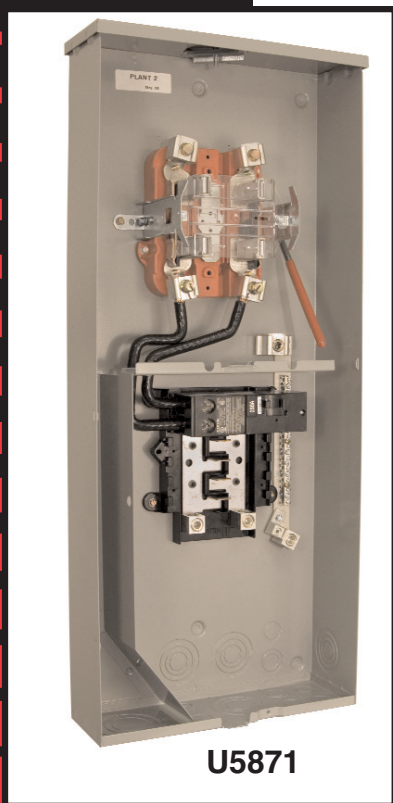
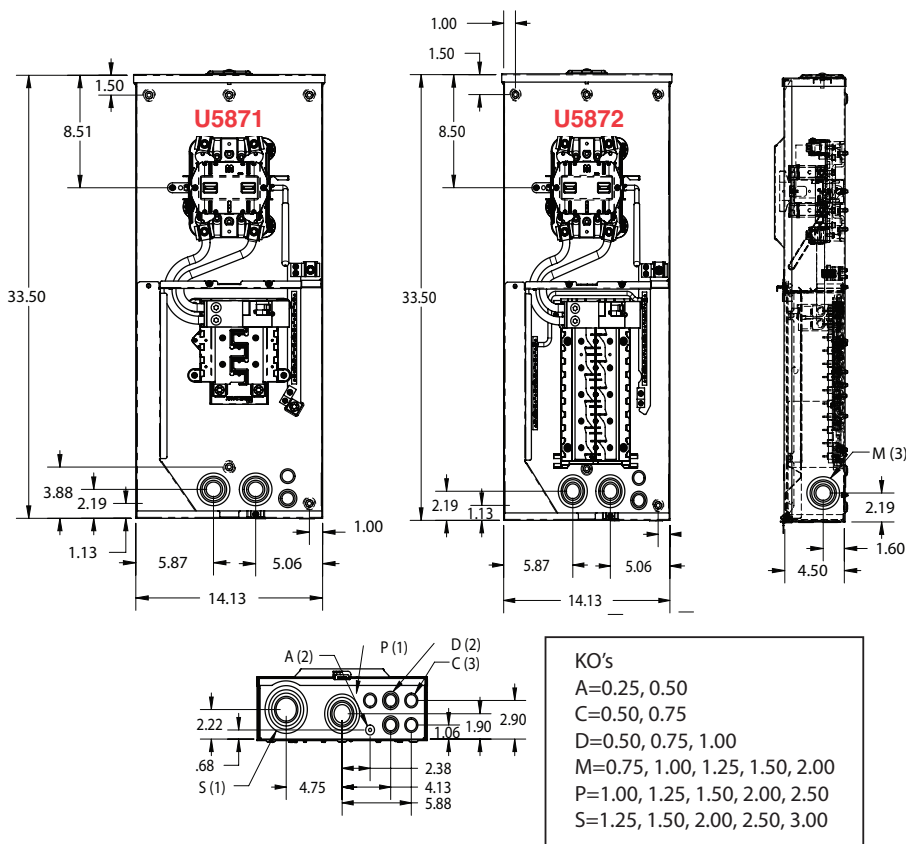


# Universal All-in-One Meter Main

## U5871 & U5872 Series—Ringless



**U5871**



### **SPECIFICATIONS**

- Both units include **Heavy Duty Lever Bypass**.
- Listed under UL 67 as “suitable only for use as service equipment”.
- 200 amp continuous ringless lever bypass meter socket.
- For use on 120/240 volt single phase applications.
- Short circuit withstand rating 22K AIC.
- Type 3R enclosure constructed with G90 galvanized steel.
- Light gray polyester powder coat finish.
- Service entrance overhead or underground. OH has up to 2-1/2” hub opening and UG has up to 3” knockout.
- Wire terminations accept copper or aluminum conductors:  
Line & Neutral: # 6-350 kcmil    Ground: #14-2/0
- Main circuit breaker: 200 amp type **QN** large frame.
- Branch circuit breaker ground and neutral.
- Interior: 8 or 20 space copper buss accepts most manufacturers plug-in type circuit breakers.
- Barrel lock provisions available. Consult factory.
- **#6-350 kcmil sub-feed lugs provided on 8 circuit interior. Not available on 20 circuit interior.**

877.483.5314 phone

816.483.6357 fax

www.milbankmfg.com

U5871-2 06/08 (2K)



# U5871 & U5872 Ordering Information

<u>Catalog Number</u>	<u>Amp</u>	<u>Main</u>	<u>Term</u>	<u>By-Pass</u>	<u>Spaces</u>
◆ U5871-PXL-200	200	200a 2p	4	Lever	8
◆ U5872-PXL-200	200	200a 2p	4	Lever	20

◆ Stock model – unit weight 40 lbs. – pallet quantity 24

\* Amperage rating limited to main breaker rating. Interior has 10 branch circuit breaker provisions.

**HUB:** Supplied with one (1) closing plate packed inside. *Order hubs separately from chart below.*

**FIFTH TERMINAL:** For field installed 208Y/120 network service order **K3866**. Installs in the 6 o'clock or 9 o'clock position.

**INTERLOCK KIT:** For generator auxiliary circuit breaker interlock for large frame **QN** with small frame **Q** order **K5815**; for large frame **QN** with large frame **QN** order **K5820\*** and for small frame **Q** to small frame **Q** order **K5830**.

(\*K5815 and K5820 compatible only with Siemens circuit breakers.)

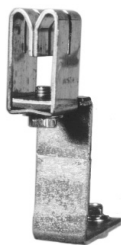
## HUB CHART

Conduit size	1"	1-1/4"	1-1/2"	2"	2-1/2"
Catalog no.	A7514	A7515	A7516	A7517	A7518

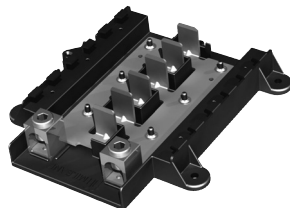


## MAIN CIRCUIT BREAKER CHART

Amperage	200
Catalog no.	QN2200RH



**K3866**  
Fifth terminal



**1122660** – 8 circuit (shown)  
**1127108** – 20 circuit  
Interior



**K5815** – QN w/Q  
**K5820** – QN w/QN  
Interlock Kits (shown installed)  
**K5830** - Q w/Q (not shown)



**QN2200RH**  
Circuit breaker



**1131844**  
Meter Front



**1122710**  
Lower Front



**1122705** – 8 circuit (shown)  
**1124562** – 20 circuit  
Dead Front

*Utility requirements for this equipment may vary. Always consult the serving utility for their requirements before ordering or installing equipment in this catalog.*

