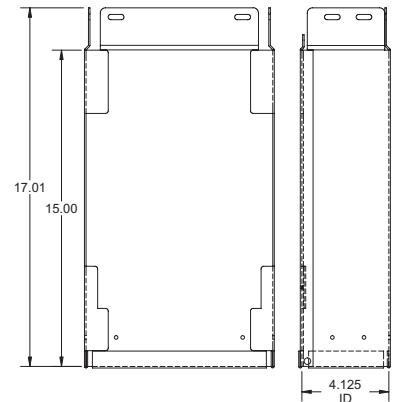
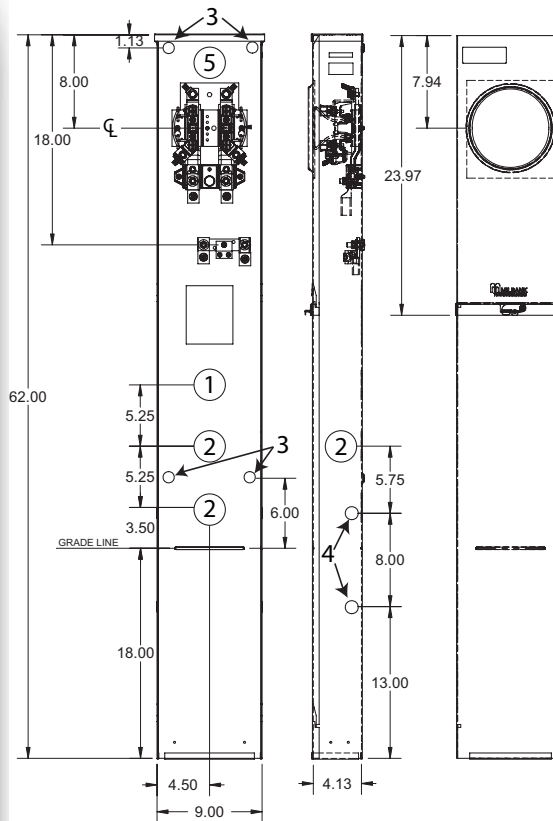


Meter Socket with Wireway

U3358-O-KK

FEATURES & BENEFITS

- Low profile, light weight design
- Easy access to line and load termination lugs
- Convenient knockout sizes and locations
- Stackable extension kits for different grade and elevation requirements
- Competitive pricing
- Local & factory stock (Kokomo, IN)



100 / 200 AMP—4 TERMINAL—RINGLESS—1Ø3W—600 VAC

AMP	SVC	CATALOG NUMBER	HUB	CONNECTORS CU/AL		BY-PASS	DIMENSIONS			CONCENTRIC K.O.'S				
				LINE	LOAD		D"	W"	H"	1	2	3	4	5
200	UG	U3358-O-KK	BLANK	#6-350 kcmil	#6-350 kcmil	HORN TYPE	4 ¹ / ₈	9	62	2	2	5 ⁵ / ₁₆	1 ¹ / ₂	2

EXTENSION UNIT: For 15" burial applications, order extension unit **K5800**. For 30" burial applications, order (2) catalog # **K5800**.

FIFTH TERMINAL: For field installed fifth terminal, order catalog number **K5T** (9 o'clock position).

BYPASS: Horn type bypass standard.

UTILITY APPROVAL: Wisconsin utility approved.



816-483-5314 phone

816-483-6357 fax

www.milbankmfg.com

3358 05/06